

EGS257

Liquid Cooling Battery Energy Storage System

As a highly integrated energy storage device, the EGS257 Outdoor Integrated Cabinet is designed to cope with the power storage and management needs in complex outdoor environments, and is widely used in a variety of scenarios such as off-grid power supply, charging stations, industrial and commercial sectors, residential neighbourhoods.

High Degree of Integration

- All-in-one design reduces transport and installation costs.
- Modular design is easy to expand and supports parallel connection of multiple machines.

Safe and Reliable

- Intelligent monitoring and linkage to ensure system security.
- Fire detectors with gas fire.

Intelligent Liquid Cooling

- Non-homogeneous runner design, temperature difference $\leq 2^{\circ}\text{C}$.
- Various liquid cooling control modes, reduce system power consumption.

Intelligent and Portable

- Multiple operating modes to choose from, support for remote upgrade.
- Cloud-based monitoring and operation platform, supporting multiple device access.

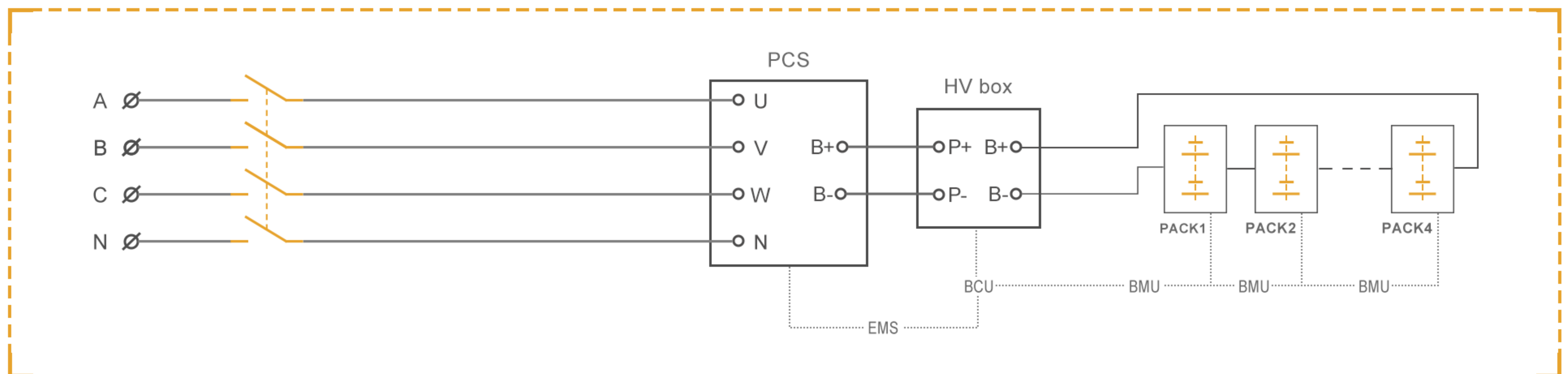


Applications

Energy Storage System
Photovoltaic Power

Power System
Commercial Building

TOPOLOGY DIAGRAM



SPECIFICATIONS

DC SIDE PARAMETERS

| | |
|--------------------------------|----------------|
| Battery Cell Type | LFP |
| Battery Specification | 3.2V/314Ah |
| Maximum Charge/Discharge Power | 137.5kW |
| Rated Charge/Discharge Power | 125kW |
| Charge/Discharge Ratio | 0.5P |
| System Grouping Mode | 1P256S |
| Rated Energy | 257.2288kWh |
| Rated Voltage | 819.2V |
| Voltage Range | 716.8~921.6V |
| Cooling Mode | Liquid Cooling |

AC SIDE PARAMETERS

| | |
|--|-----------------------|
| Rated AC Power | 125kW |
| Rated Voltage | 400V |
| AC Side Wiring Mode | Three-phase Four-wire |
| Rated Frequency | 50/60Hz |
| Total Current Waveform Distortion Rate | <3% |

SYSTEM PARAMETERS

| | |
|-----------------------------|-----------------------------------|
| Operating Temperature Range | -20-50°C |
| Operating Humidity Range | 0~95%RH, No Condensation |
| Maximum Working Altitude | 2000m |
| Ingress Protection | IP55 |
| Anti-corrosion Grade | C4 |
| Fire Protection System | Aerosol Fire Extinguishing Device |
| Communication Interface | RS485/TCP |
| Dimension(W*D*H) | 1044*1600*2053mm |
| Weight | 2495±5kg |

Note: Before using this product, please read the relevant safety and installation instructions carefully. Any changes to the specifications in this data sheet will be notified separately.